

Current Transformer Model EI-7RL Series

Window Diameter 2.50"



Application

- Ammeters, watt meters, and cross current compensation.

Frequency

- (50 to 400) Hz

Insulation Level

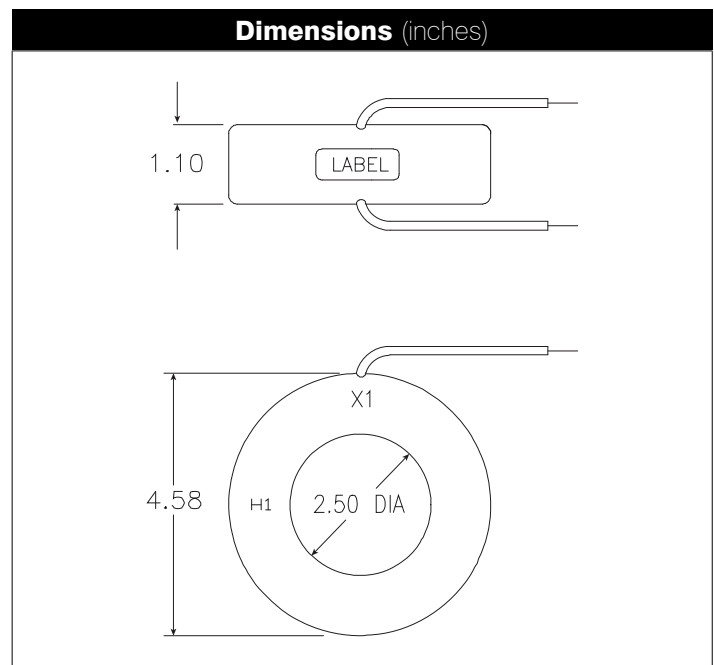
- 600 V AC, 10 kV AC BIL full wave

Flexible leads are UL 1015, 105 °C, CSA approved, #16 AWG, 24" long.

Approximate weight is 1.5 lbs.

UL recognized

Catalog Number	Current Ratio	Accuracy @ 60 Hz	Burden VA @ 60 Hz
EI-7RL-601	600:5	± 1%	30.0
EI-7RL-801	800:5	± 1%	30.5



1800 Shames Drive
Westbury, NY, 11590

1-877-EIMETER
(1-877-346-3837)

Tel: 516-334-0870
Fax: 516-338-4741

Email: EIG_sales@hubbell.com
Website: www.electroind.com

